



IP 54
Control Panel



Digital
Monitor display



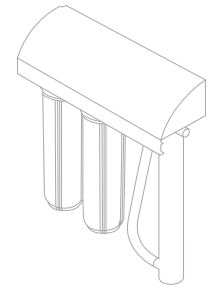
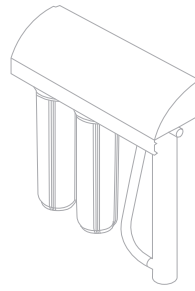
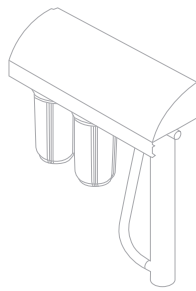
Days meter
for lamp life control



Acoustic alarm
for lamp
replacement

BIG F PRO

Atlas **BIG F PRO** is an easy to install two stage filtration system with UV treatment, for the removal of sediment and for water purification by means of UV-C radiation. **UV-C treatment** is a physical disinfection treatment for the inactivation of microorganisms in water.



Filtration-stage 1	20 µm	20 µm	20 µm
Filtration-stage 2	1 µm	1 µm	1 µm
Cartridges	TS 10" BIG 20 µm CPP 10" BIG 1 µm	TS 20" BIG 20 µm CPP 20" BIG 1 µm	TS 20" BIG 20 µm CPP 20" BIG 1 µm
Inlet/outlet size	1"	1"	1"
Shipping weight	20 Kg	22 Kg	22 Kg
Max working temperature	45 °C	45 °C	45 °C
Max working pressure	8,3 bar	8,3 bar	8,3 bar
Flowrate	54 lpm (40mJ/cm ²)	70 lpm (30mJ/cm ²)	95 lpm (30mJ/cm ²)
Total consumption	61 W	61 W	73 W
Metal frame	Varnished galvanized steel with key lock	Varnished galvanized steel with key lock	Varnished galvanized steel with key lock

UV LAMP GENERAL INFORMATION

UVC transmittance	95% - 1 cm	95% - 1 cm	95% - 1 cm
-------------------	------------	------------	------------

UV REACTOR

Material	Stainless Steel 304	Stainless Steel 304	Stainless Steel 304
Connections	Thread 1" M	Thread 1" M	Thread 1" M
Max working pressure	8,3 bar	8,3 bar	8,3 bar
Protection class	IP 54	IP 54	IP 54

UV LAMP

Lifespan	9000 hrs	9000 hrs	9000 hrs
Lamp power	56 W	56 W	67 W
Type	HO low pressure	HO low pressure	HO low pressure

CONTROL PANEL

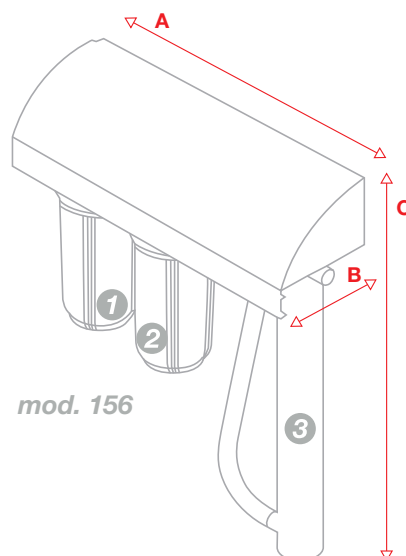
Material	Thermoplastic	Dimension	218x113x60 mm	Protection class	IP 64	Power supply	110-240 V - 50/60 Hz
Power cable	2 mt	Feed plug	AUS Type I	Monitor display	Digital	Days meter	For total system life
Resettable days meter	For lamp life control	Audio alarm	With silence options				

DP BIG DUO filter housing

mod. 156

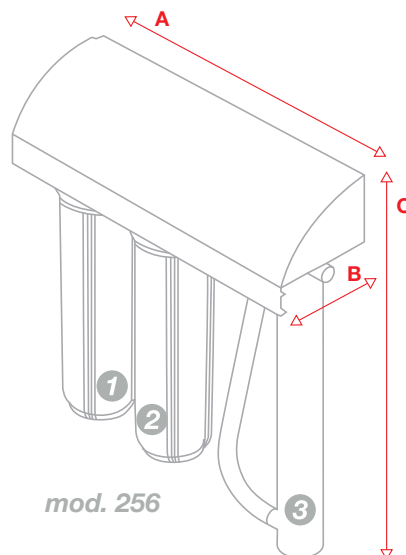
stage1

stage2

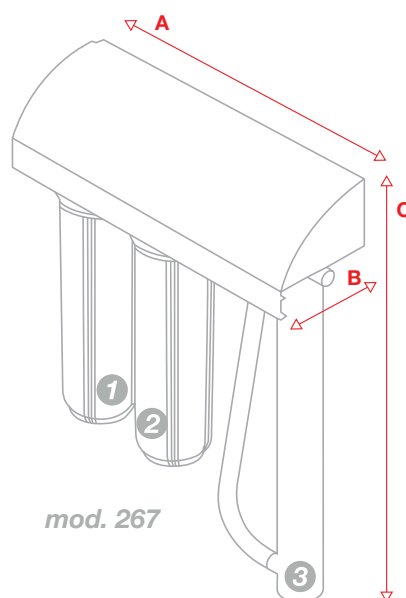


A = 722 mm
B = 205 mm
C = 790 mm

mod. 256 / 267



A = 722 mm
B = 205 mm
C = 806 mm



A = 722 mm
B = 205 mm
C = 870 mm

UV lamp stage3

mod. 156/256

56 W

mod. 267

67 W

We value
what really
matters.
Water



IT'S MADE IN ITALY



ATLAS FILTRI S.r.l. | via Pierobon, 32 | 35010 Limena, Italy
Tel. +39.049.76.90.55 | Fax +39.049.76.99.94 | www.atlasfiltri.com